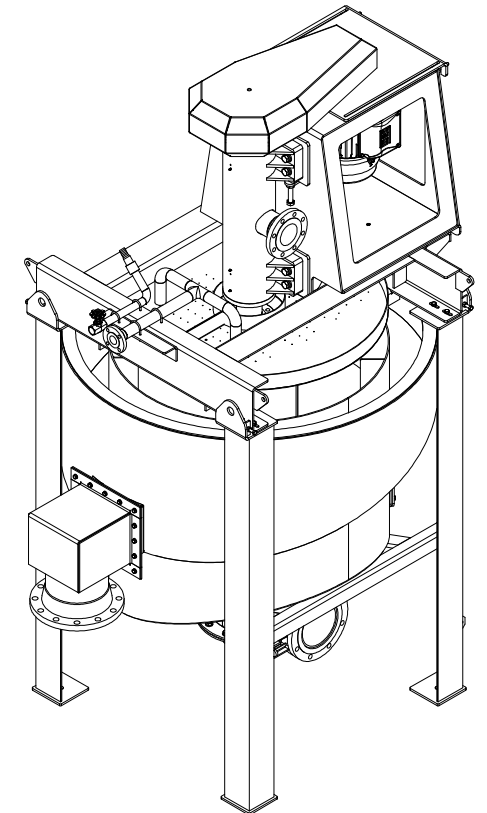
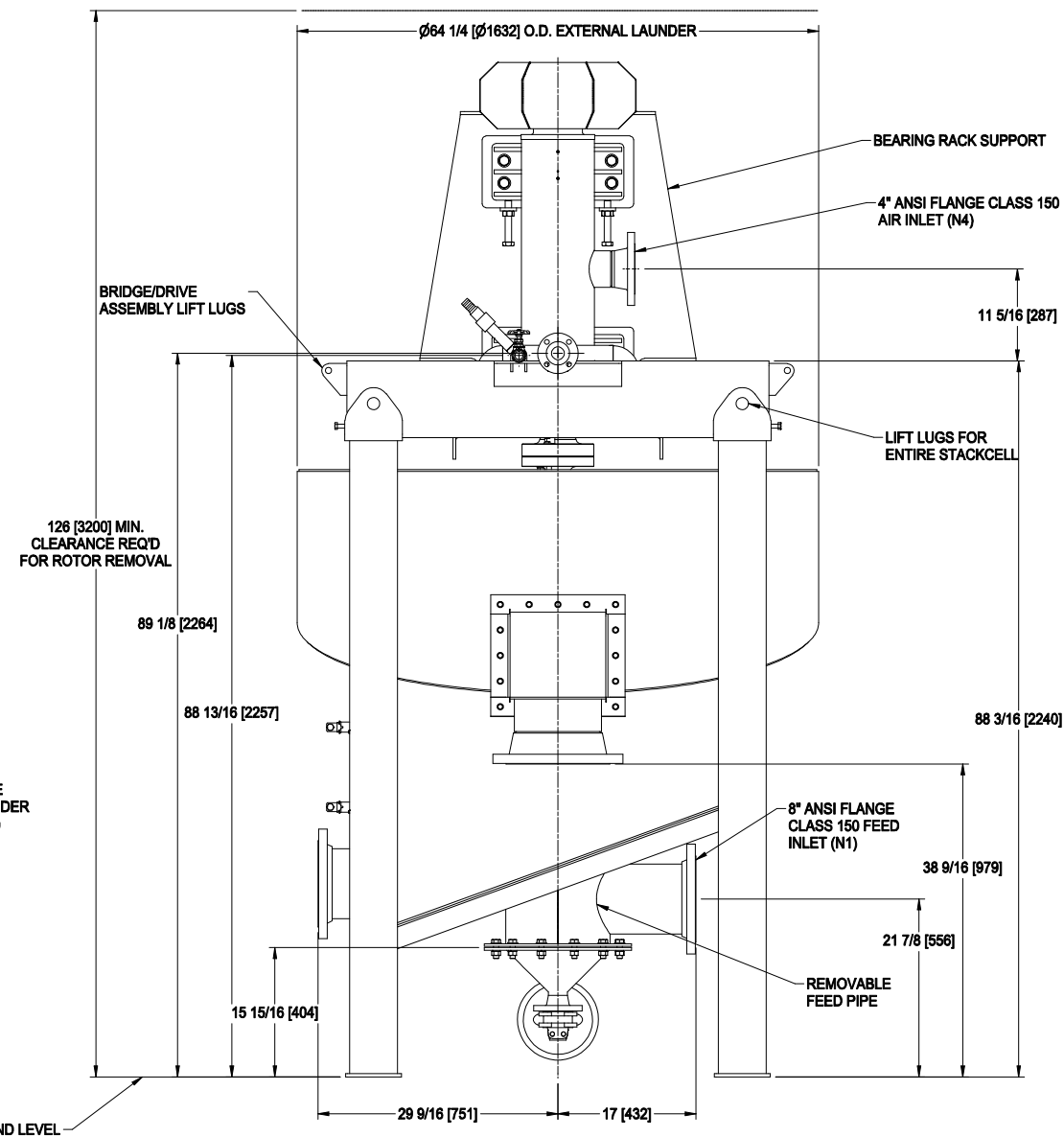
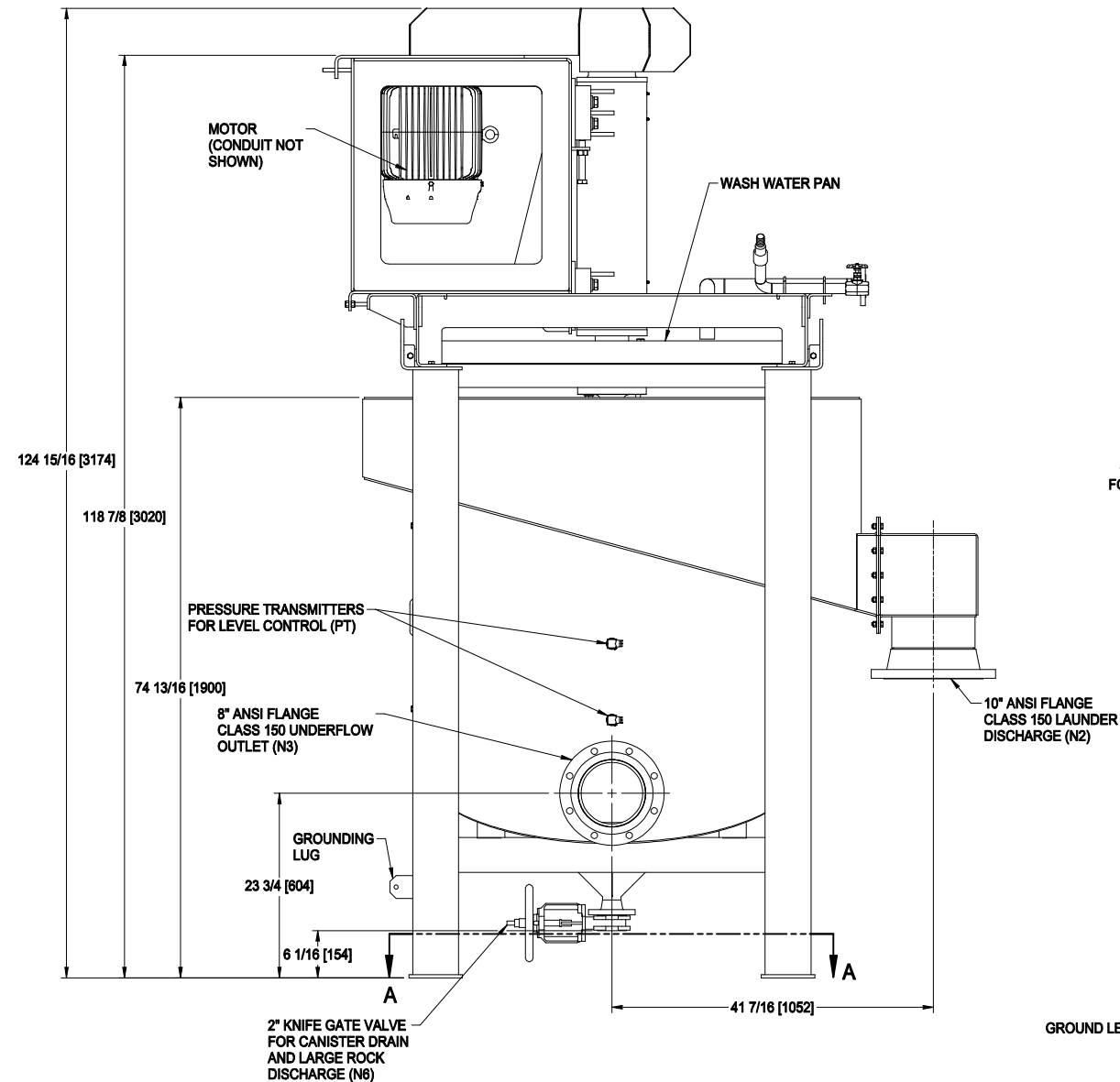


NOZZLE SCHEDULE							
MK	SERVICE	SIZE	PIPE SCH.	RATING/SIZE	QTY.	TO NOZZLE CL OR FLANGE FACE	ANGLE
						HEIGHT FROM GROUND LEVEL	
N1	FEED INLET	8 in	STD	CLASS 150, RFSO FLG.	1	21 7/8 [556]	0
N2	OVERFLOW OUTLET	10 in	STD	CLASS 150, RFWN FLG.	1	38 9/16 [979]	NA
N3	UNDERFLOW OUTLET	8 in	STD	CLASS 150, FRFSO FLG.	1	23 3/4 [604]	180
N4	AIR INLET	4 in	STD	CLASS 150, RFWN FLG.	1	99 1/2 [2527]	0
N5	WASH WATER INLET	1 1/2 in	STD	CLASS 150, RFWN FLG.	1	89 1/2 [2264]	90
N6	CANISTER DRAIN	2 in	STD	CLASS 150, GATE VALVE	1	6 1/16 [154]	NA
N7	LAUNDRY SPRAY INLET	1 in	STD	FNPT	1	88 13/16 [2257]	90
PT	PRESSURE TRANSMITTER MOUNT	1 in	STD	G1	2	VARIES	180



SCALE 1/16



NOTES:

1. LOADS:

- APPROXIMATE DEAD WEIGHT = 4,112 LBS [1,865 KGS].
- APPROXIMATE WORKING WEIGHT = 7,970 LBS [3,615 KGS].
- APPROXIMATE SANDED/MAX WEIGHT = 9,050 LBS [4,105 KGS].

2. ALL CARBON STEEL SURFACES TO BE PAINTED.

- A. DRIVE MECHANISM AND BRIDGE TO BE PAINTED RAL 7011 IRON GREY.
- B. EXTERIOR OF TANK TO BE PAINTED RAL 9003 SIGNAL WHITE.
- C. INTERIOR OF TANK TO BE PAINTED RAL 9003 SIGNAL WHITE.

		ERIEZ WORLD AUTHORITY IN SEPARATION TECHNOLOGIES GLOBAL HEADQUARTERS: ERIE, PENNSYLVANIA, USA			
TITLE: OUTLINE					
SHEET TITLE: OUTLINE					
FOR: 4 FT. STACKCELL ASSEMBLY					
DR. BY: TTJ	ORDER # XXXXXX	NEXT ASSM: 4N-20190XXXX	SHEET 1 of 1		
SCALE: .09:1	E.R.#: 20190XXXX	PRIOR REF:			
DATE: 9/24/2019	NOTICE—THIS DRAWING AND THE PRINCIPLE OF DESIGN ARE THE PROPERTY OF AND PROPRIETARY TO ERIEZ				
CHKD. BY: -	DRAWING NUMBER				
INCHES [MILLIMETERS]		4R-201906886			

REVISIONS: CHANGE MADE BY DATE ORDER #